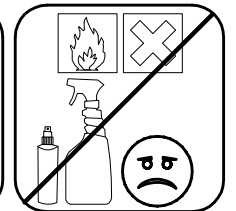
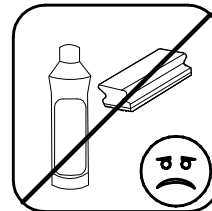
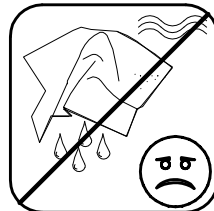
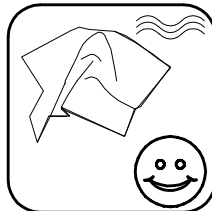
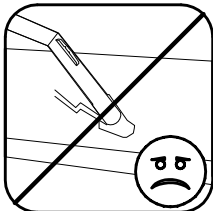
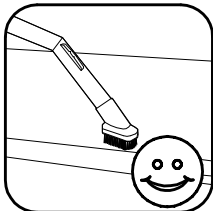
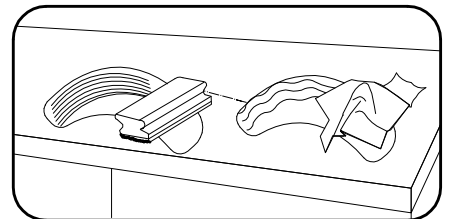
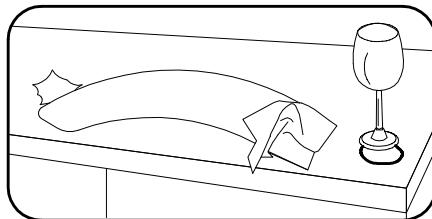
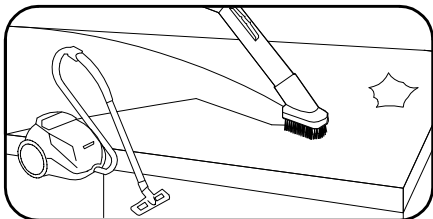
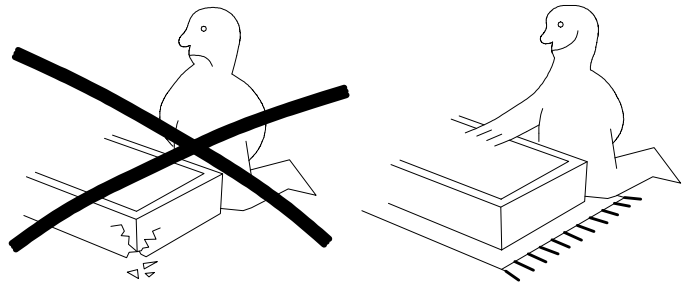
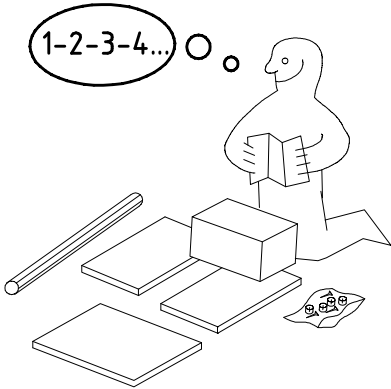
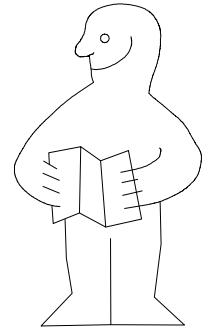
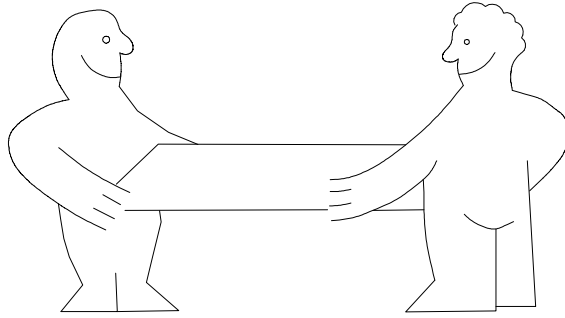
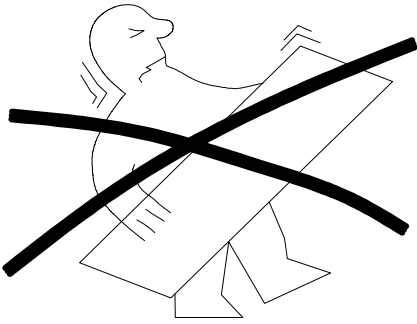

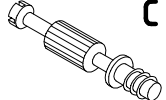
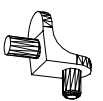
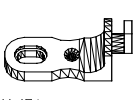

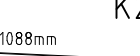
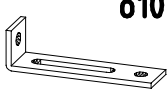


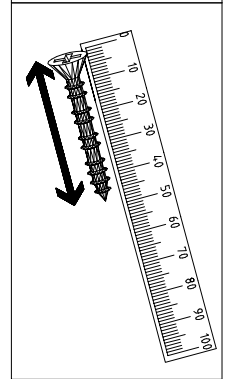
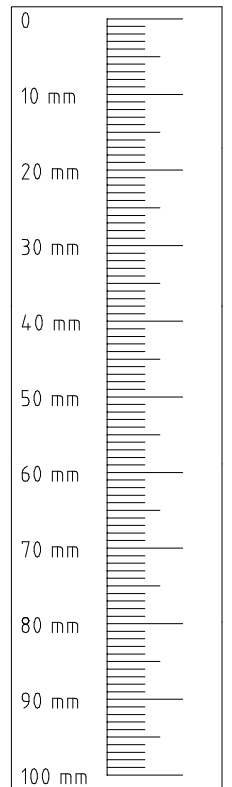
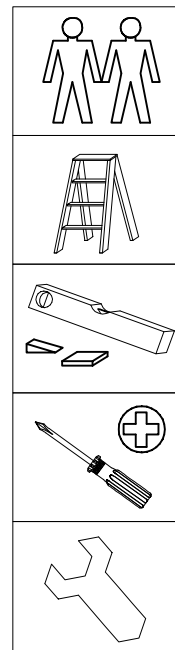
Typ 643

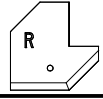
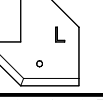




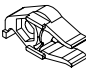
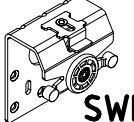
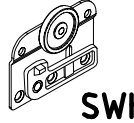

 111 102	<b>A</b> 12x
 111 103	<b>C</b> 12x
 111 610	<b>L7</b> 8x

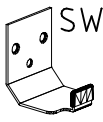
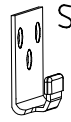
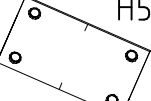

 111 174	<b>J1</b> 4x
 117 001	<b>K1</b> 4x
 1088mm 112 404	<b>K22</b> 2x

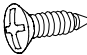



 111 037	<b>o10</b> 1x
---	------------------

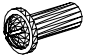





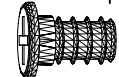
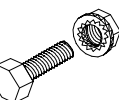
 R	<b>SWH-SKR</b> 1x
 L	<b>SWH-SKL</b> 1x
 114 183	<b>SW-STM</b> 1x
	<b>SWH-D</b> 2x

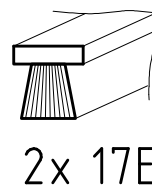
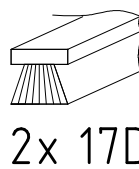
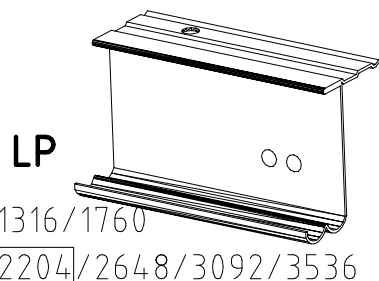
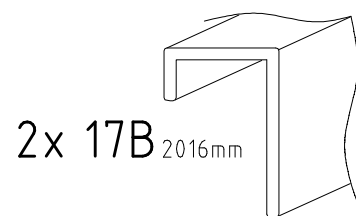
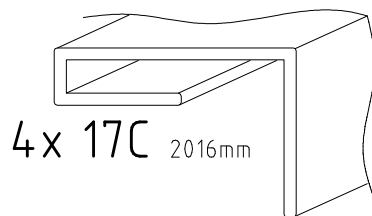
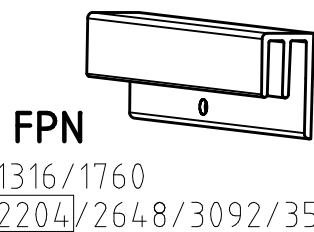
 114 183	<b>SWH-ST</b> 2x
 114 183	<b>SWH1</b> 2x
 114 183	<b>SWH2</b> 2x
 114 183	<b>SWH3</b> 2x

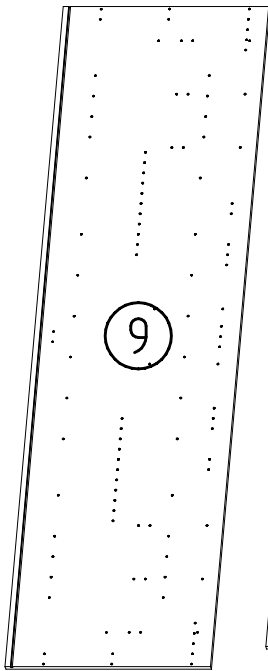
 114 183	<b>SWH 6</b> 2x
 114 183	<b>SWH 7</b> 4x
 114 183	<b>H5</b> 9x
 114 183	<b>SW-AK</b> 4x

 121 370	<b>G1</b> 8x
 121 375	<b>G14</b> 14x
 121 004	<b>G24</b> 9x
 121 xxx	<b>G43</b> 5x

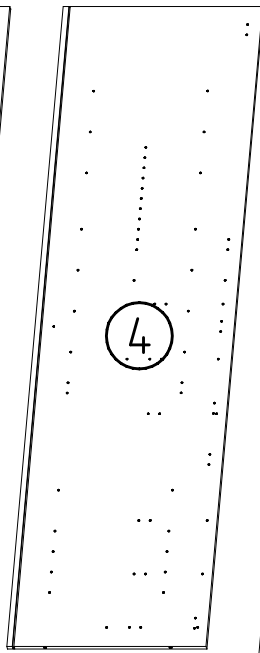
 121 xxx	<b>GH13</b> 5x
 121 122	<b>SP13</b> 4 X 13mm 90x
 121 120	<b>SP15</b> 4 X 15mm 1x
 111 030	<b>T2</b> 6,3 x 10,5 mm 34x

 121 181	<b>T6</b> M6 x 11 mm 4x
 114 183	<b>SWT-SM5</b> 2x

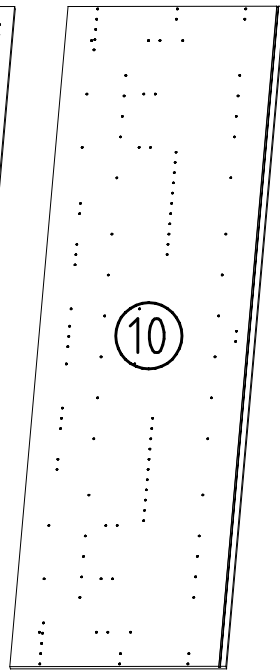




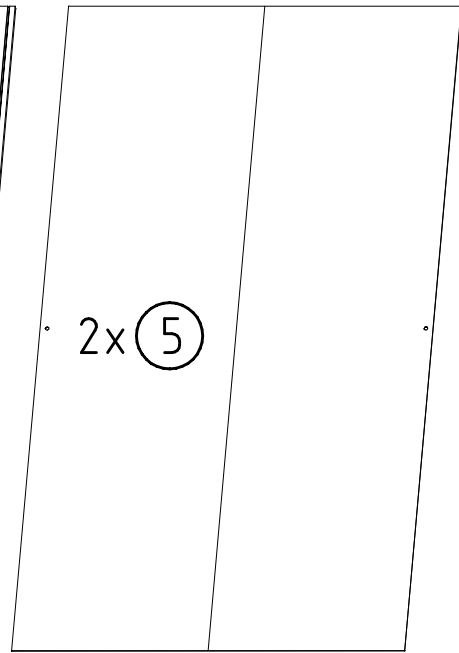
2064x577x15



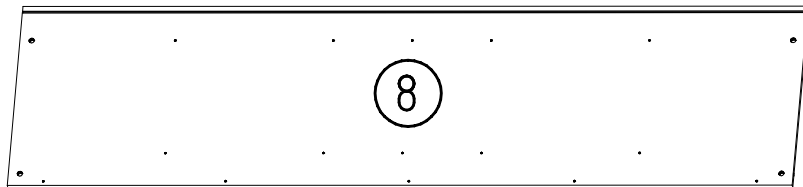
2001x560x15



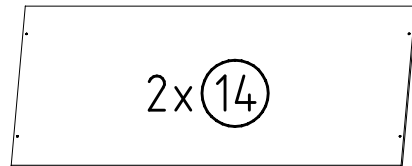
2064x577x15



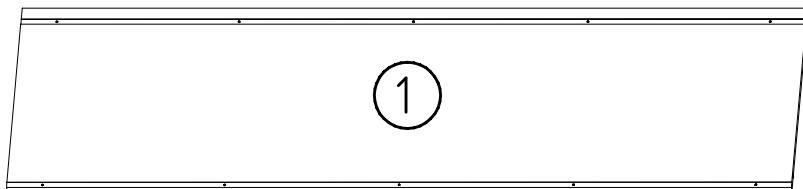
2015x1104x2,5



2205x560x15



1095x500x18

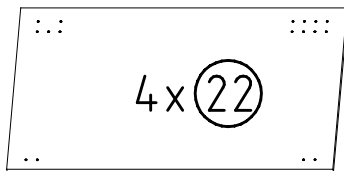


2205x560x15

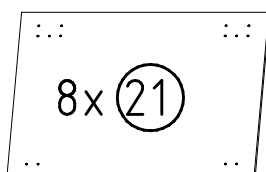
2x (2)



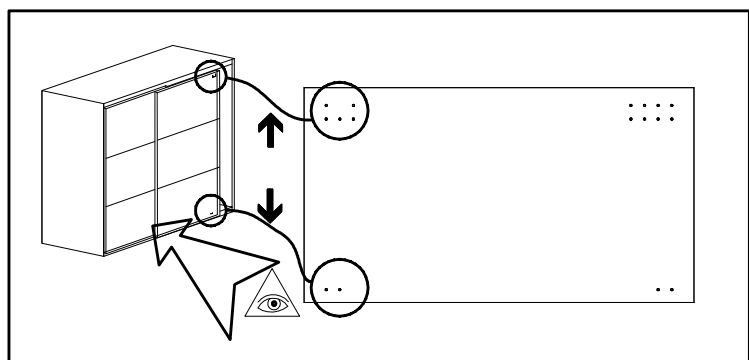
2204x32x15

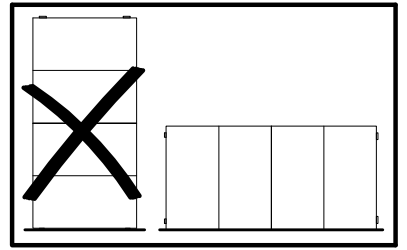
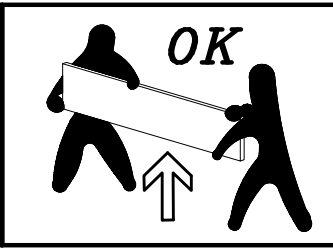
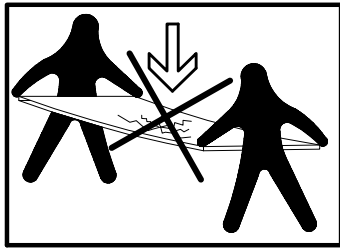
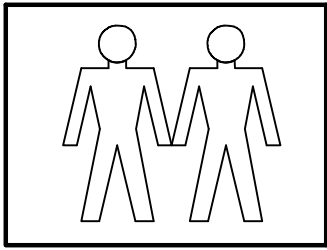


916x504x15

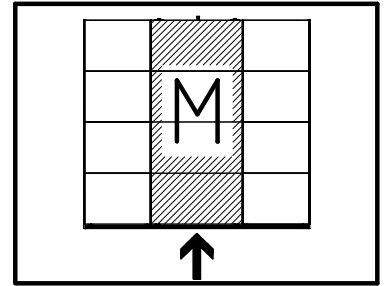
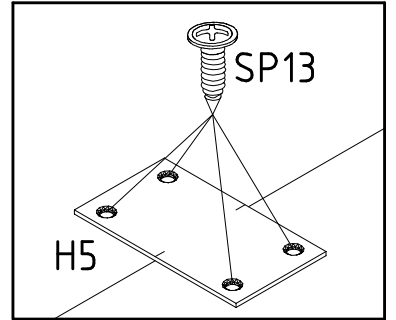
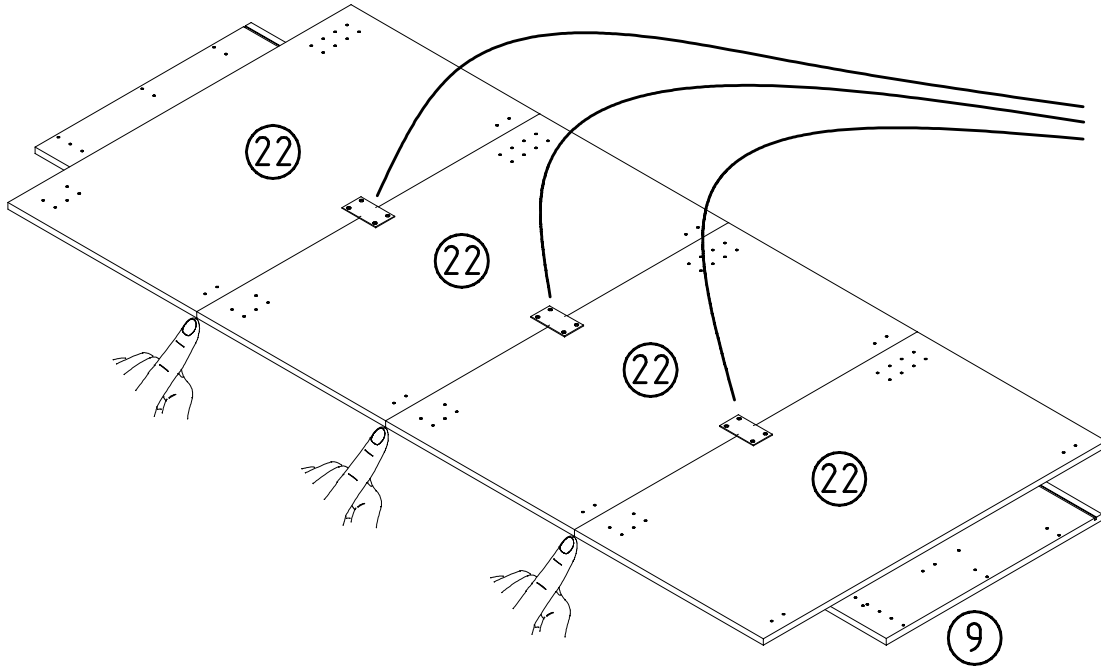
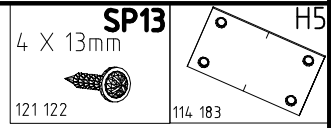


694x504x15

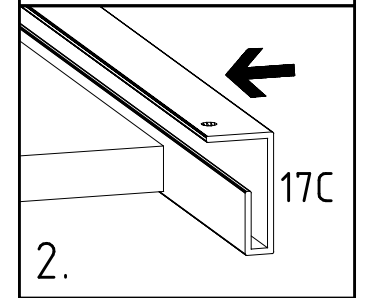
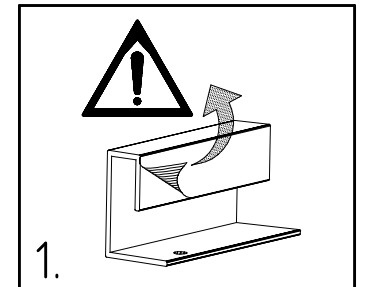
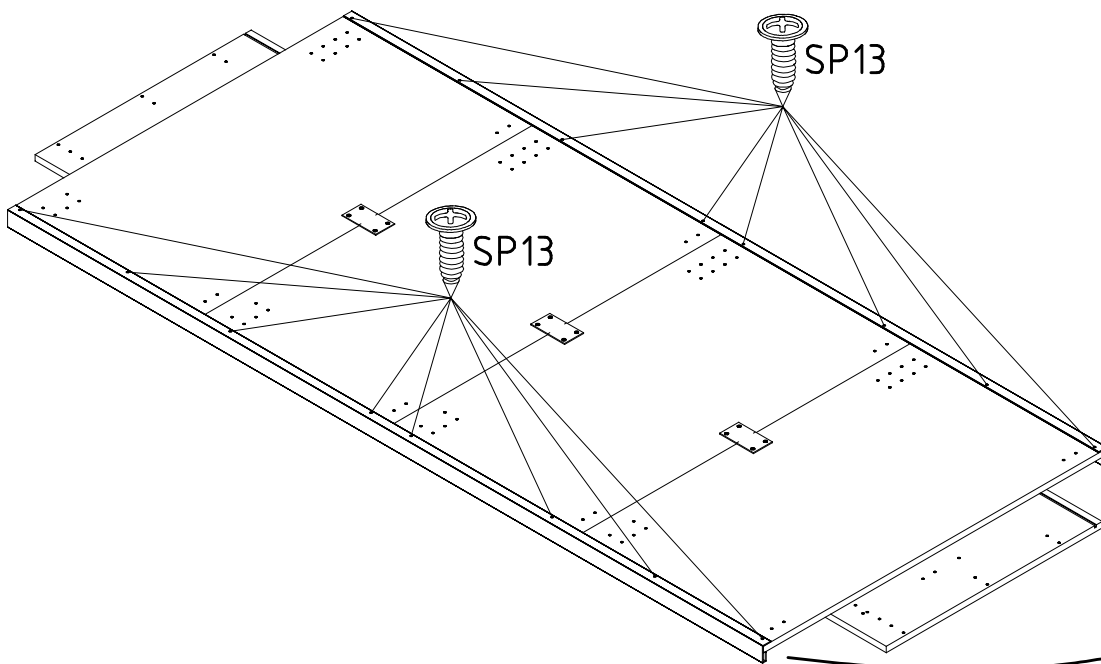
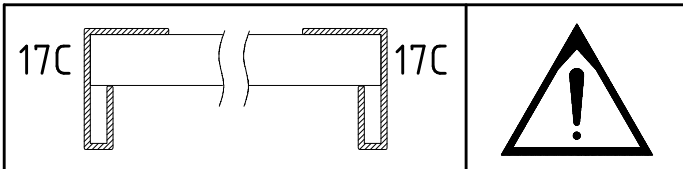




1



2



3

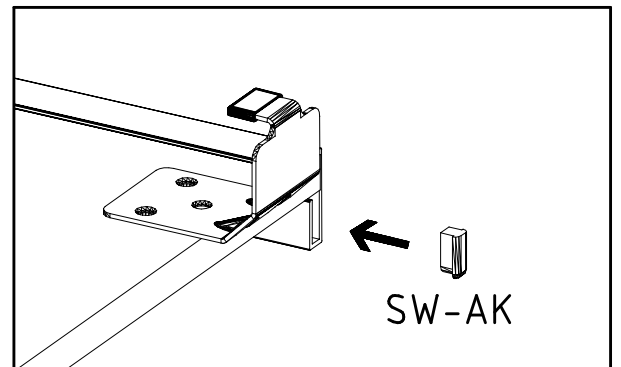
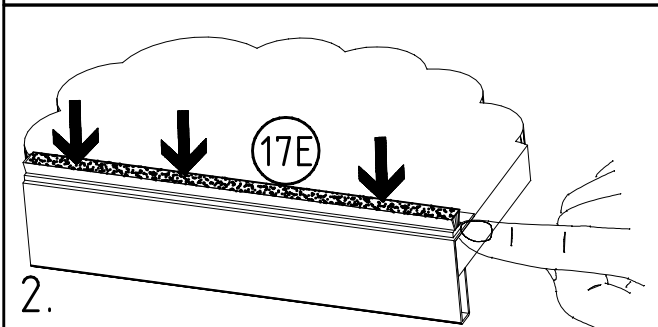
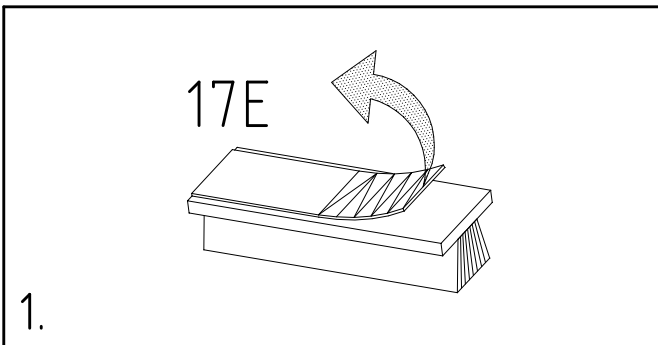
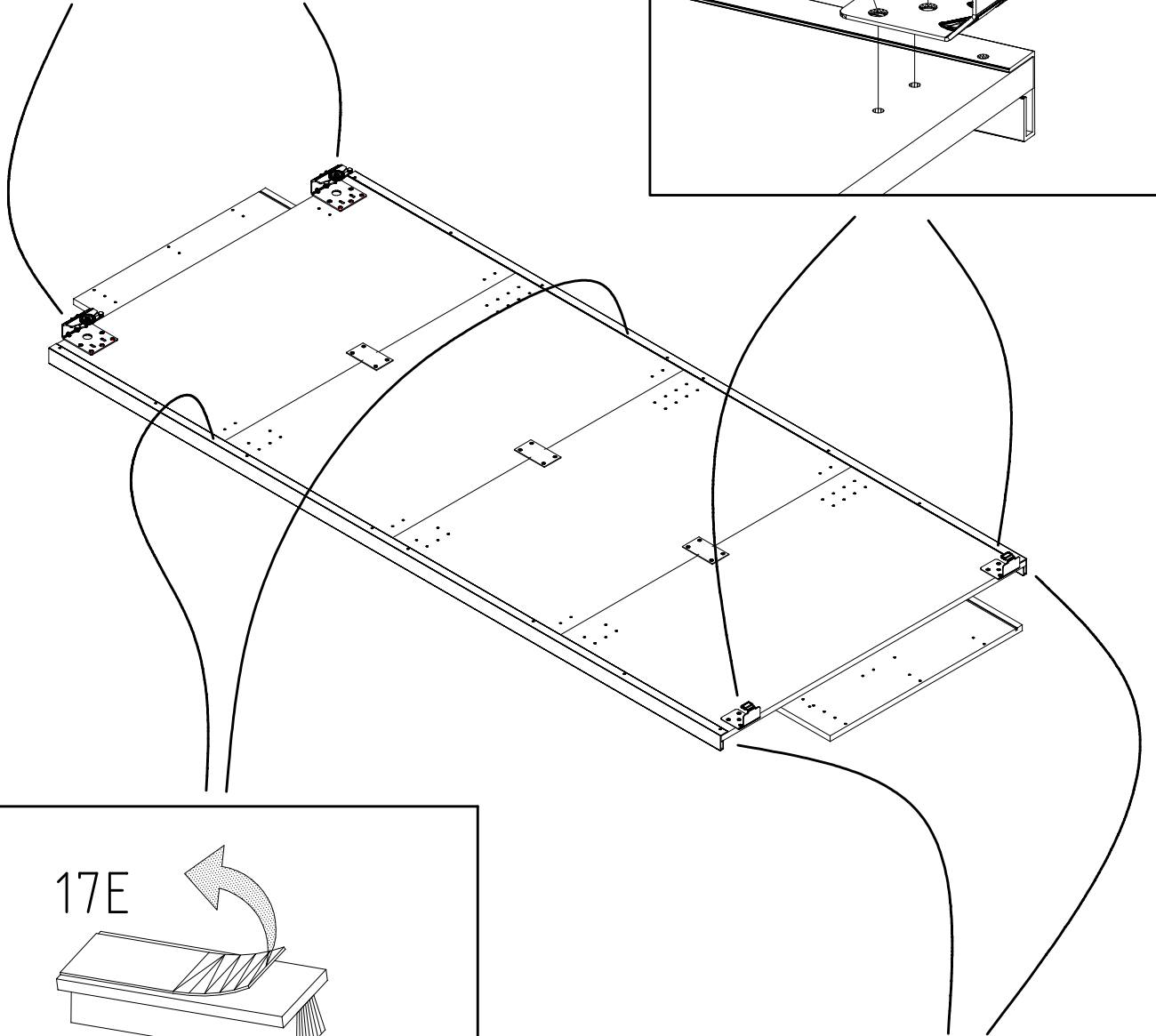
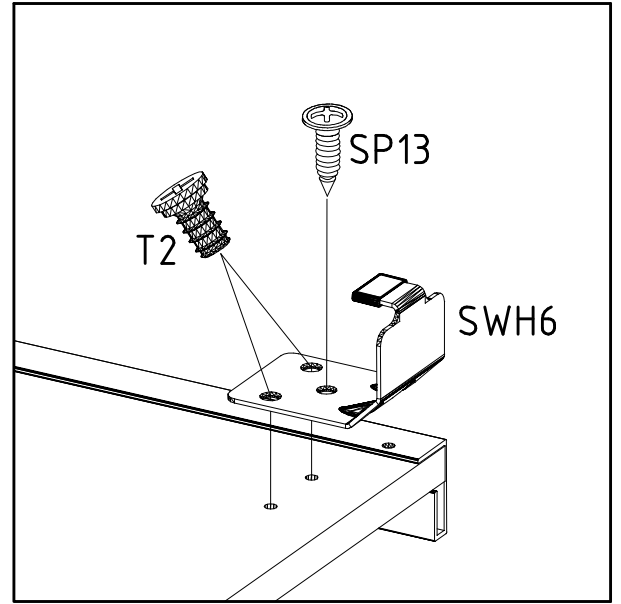
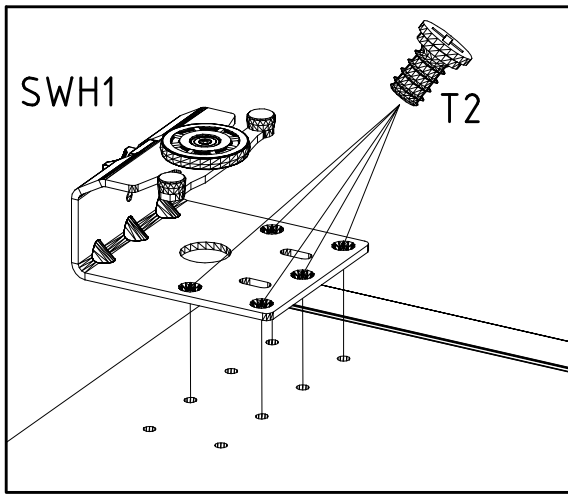
SP13 4 X 13mm  
121 122

6,3 x 10,5 mm T2  
111 030

SW-AK

SWH 6

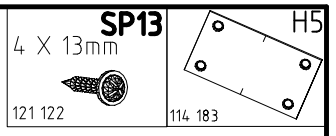
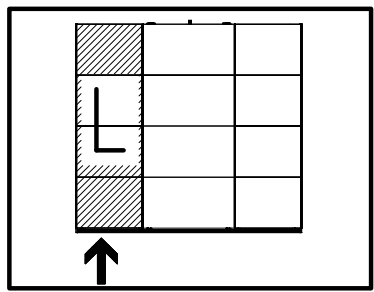
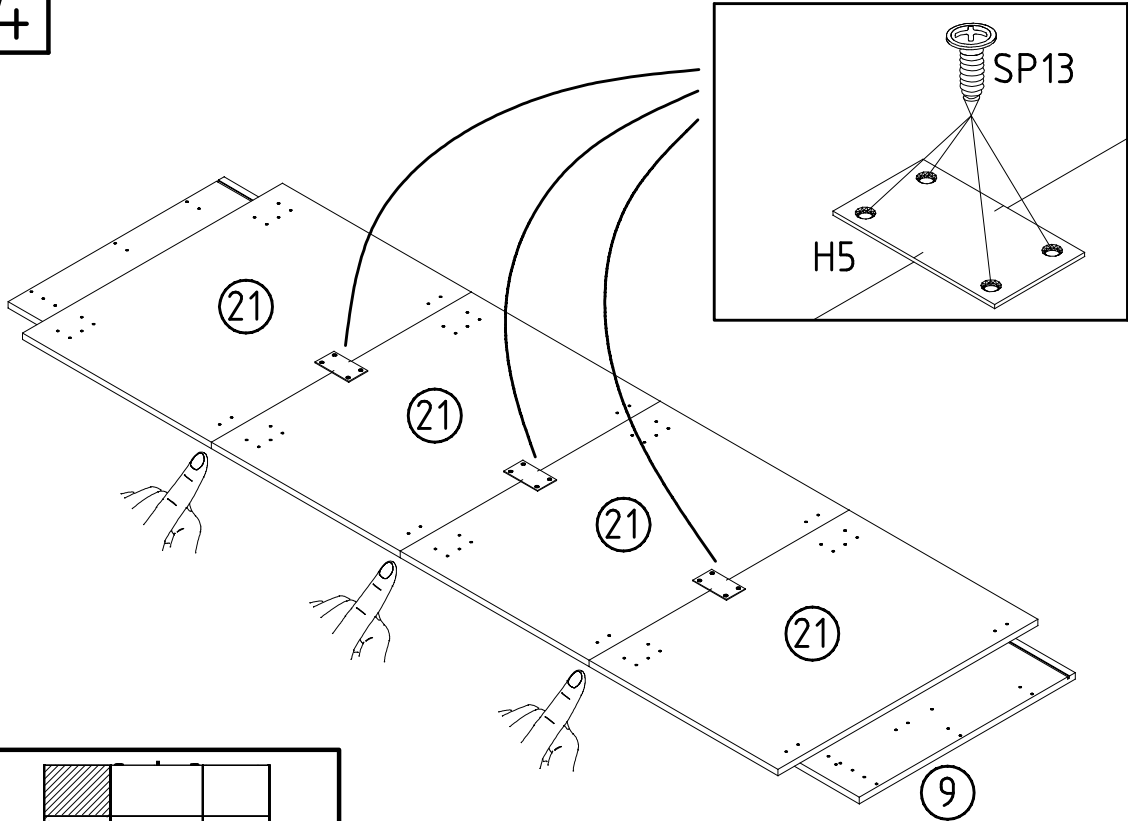
SWH1



4

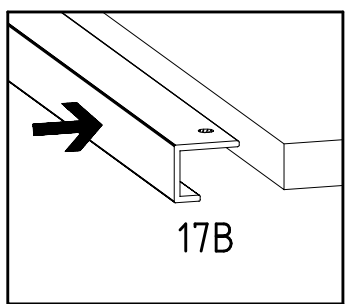
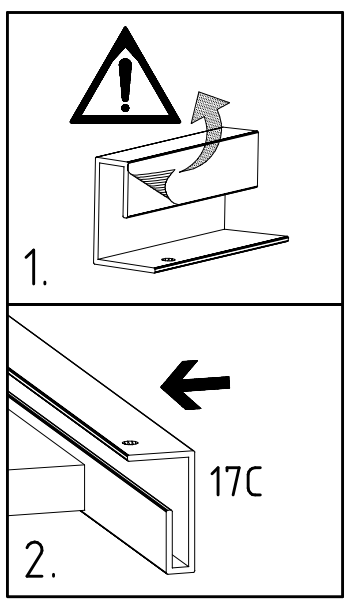
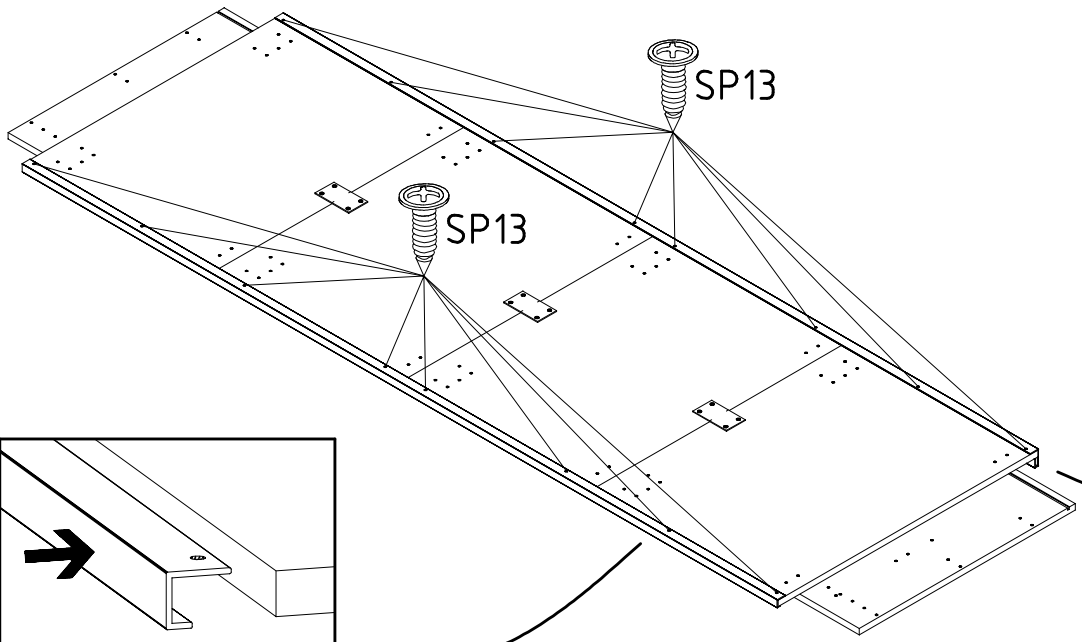
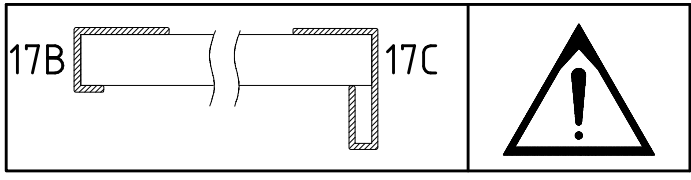
**SP13**  
4 X 13mm  
121 122

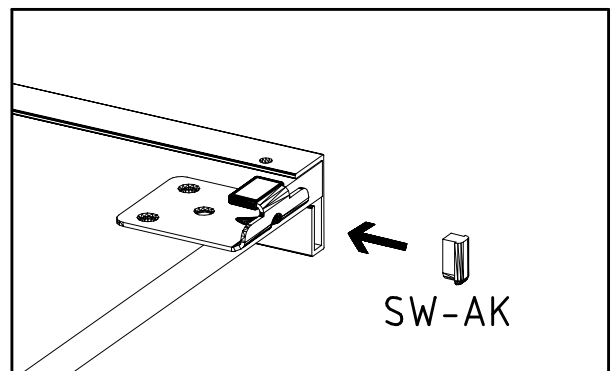
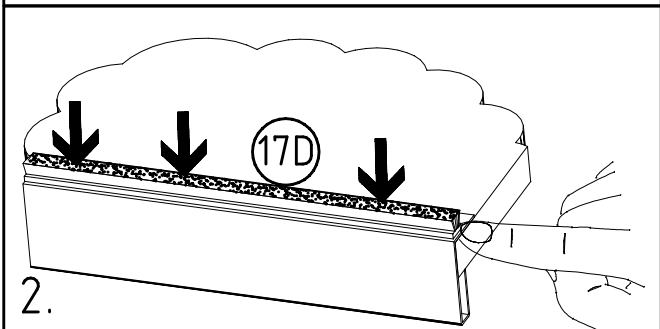
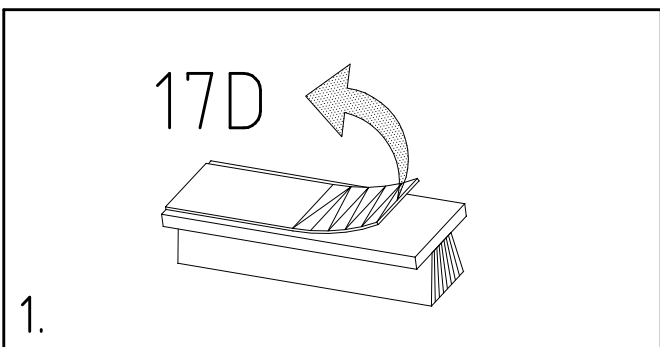
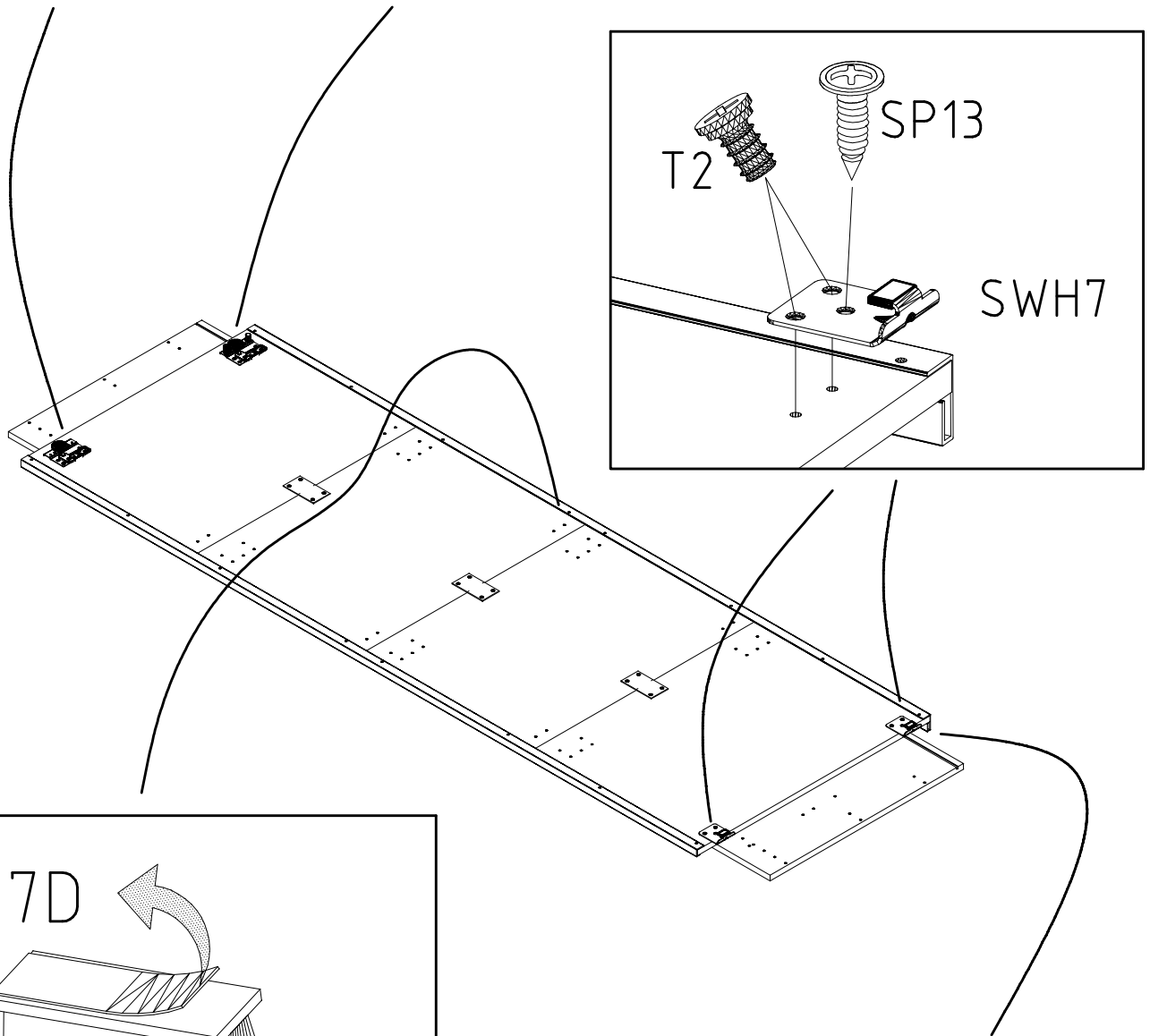
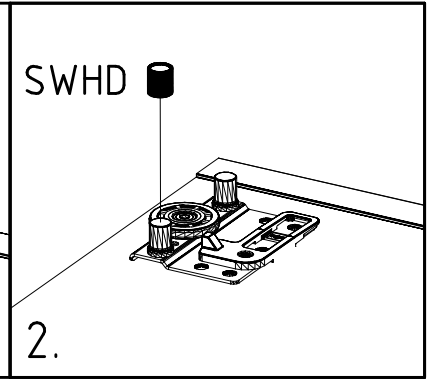
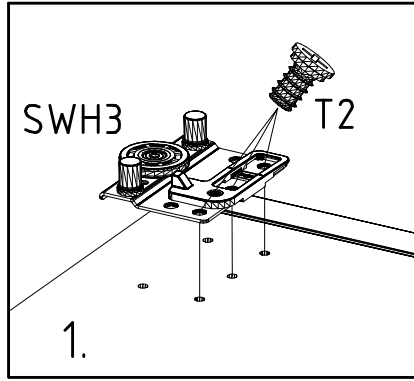
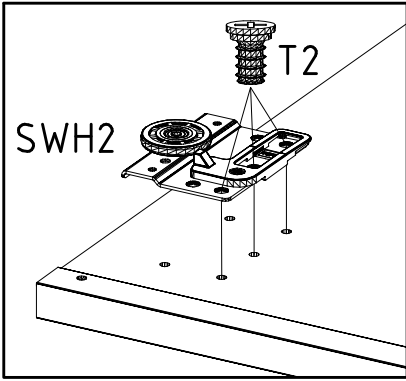
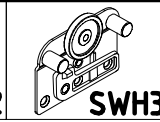
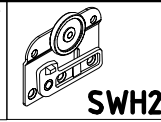
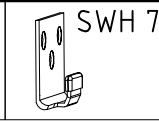
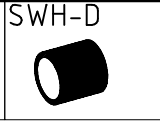
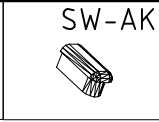
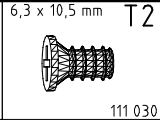
**H5**  
114 183

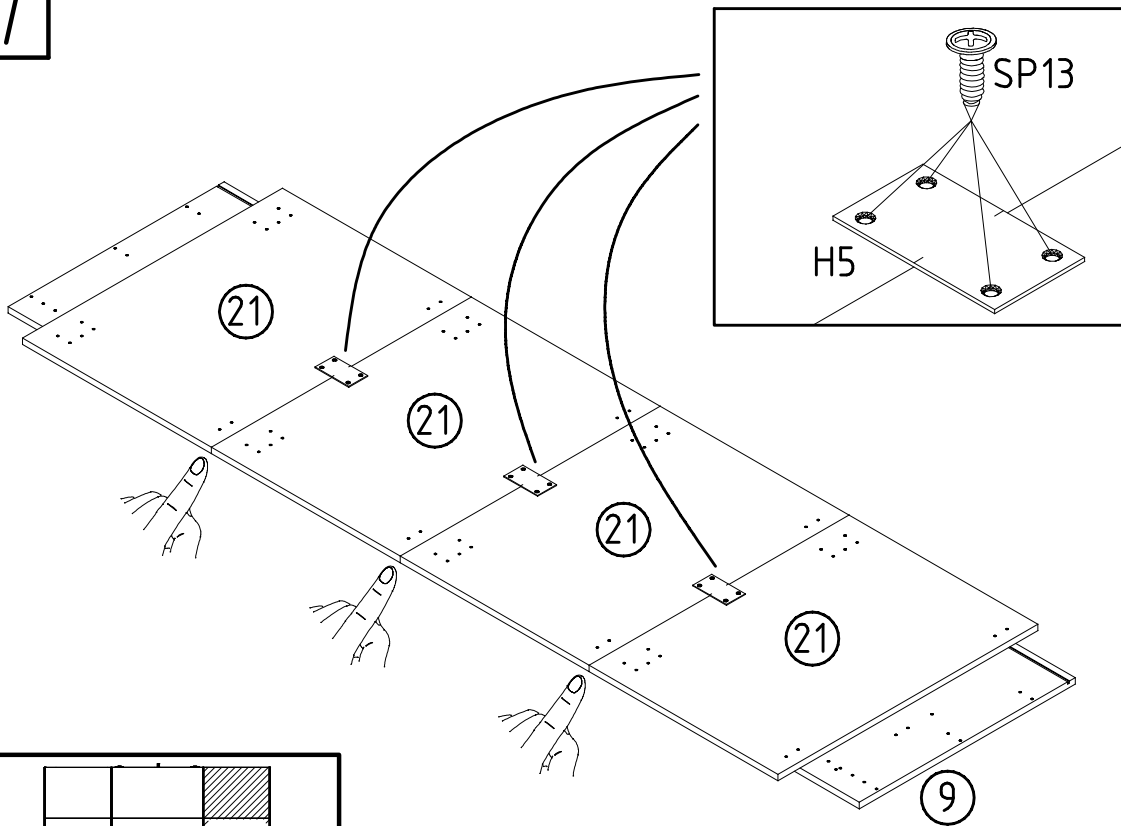
5

**SP13**  
4 X 13mm  
121 122

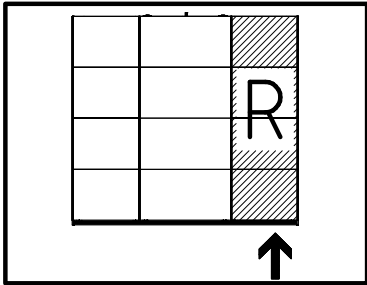


7

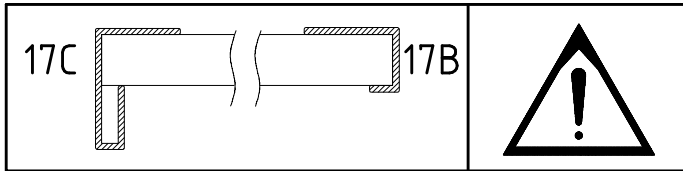


**SP13**  
4 X 13mm  
121 122

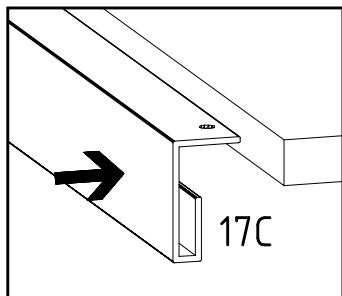
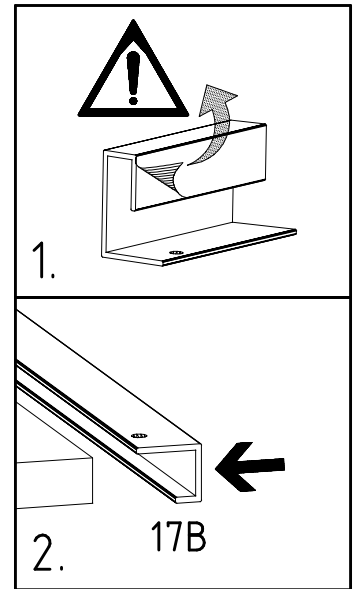
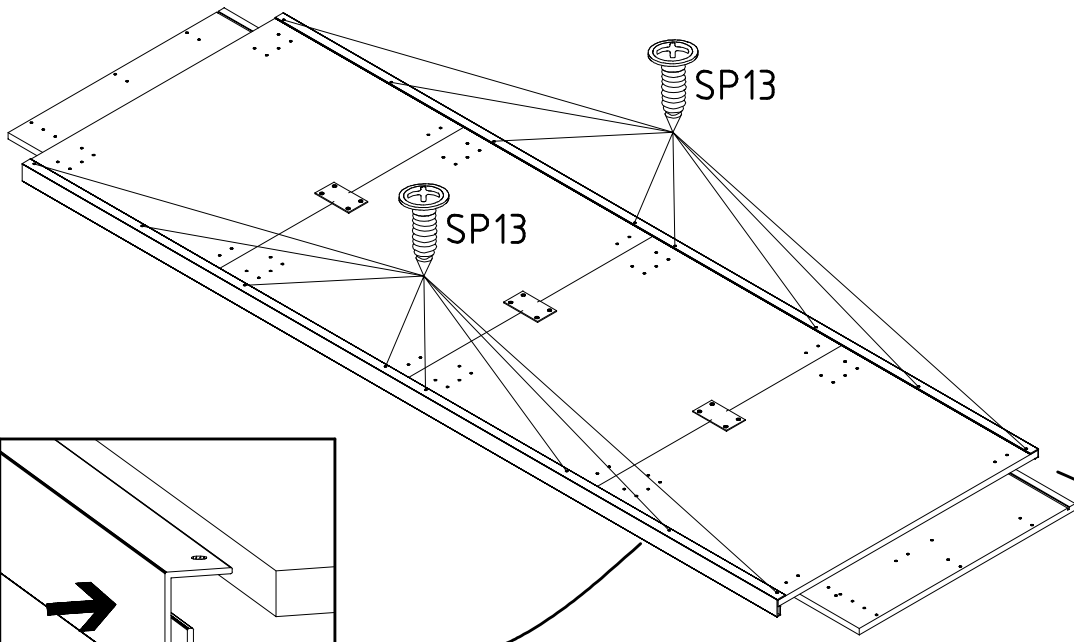
**H5**  
114 183



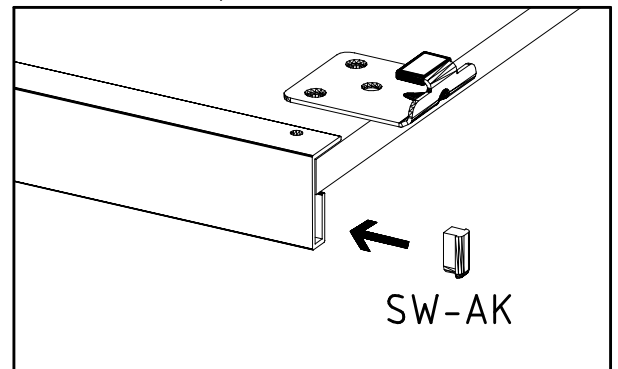
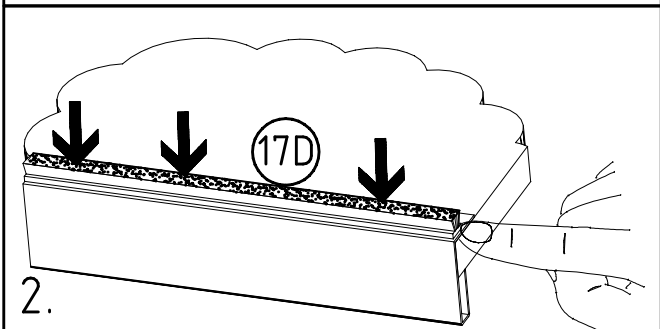
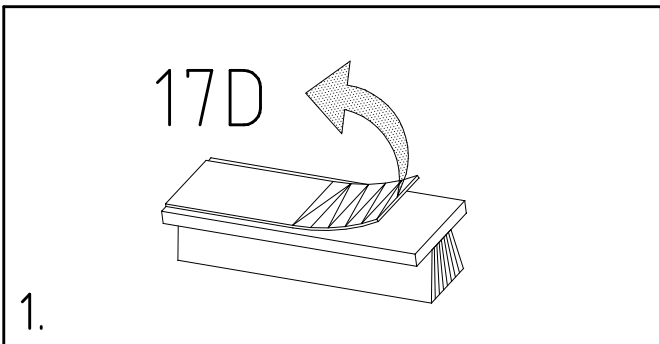
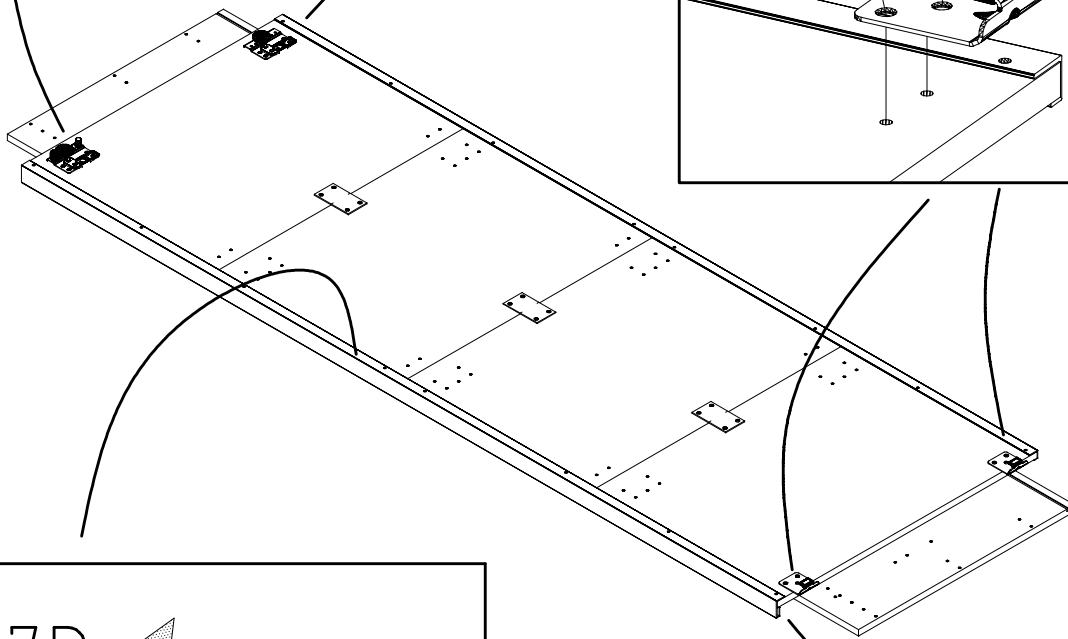
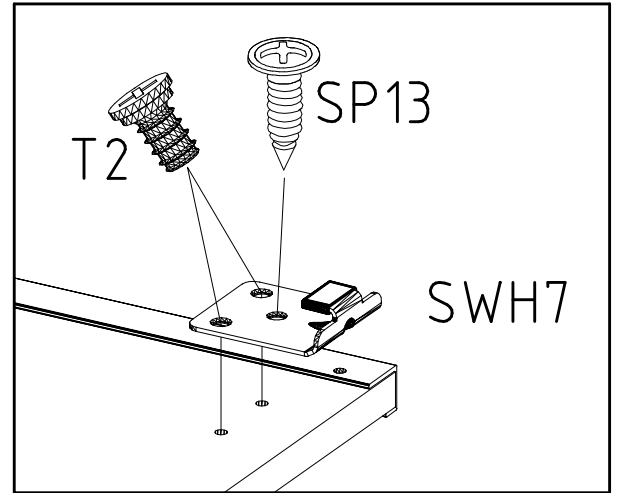
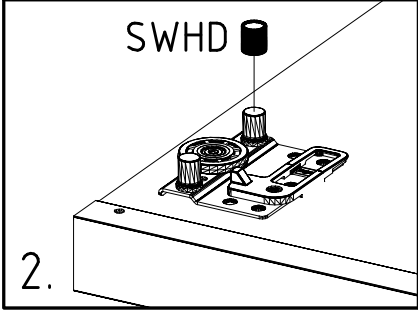
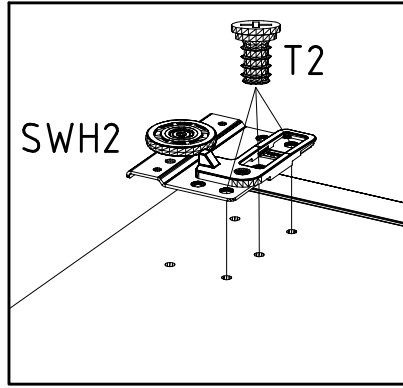
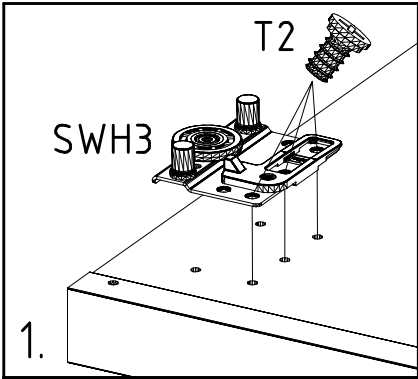
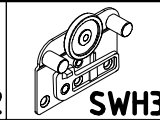
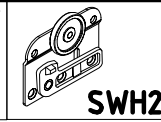
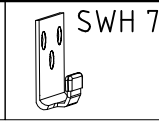
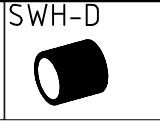
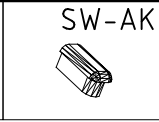
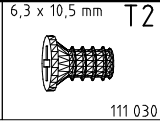
8



**SP13**  
4 X 13mm  
121 122

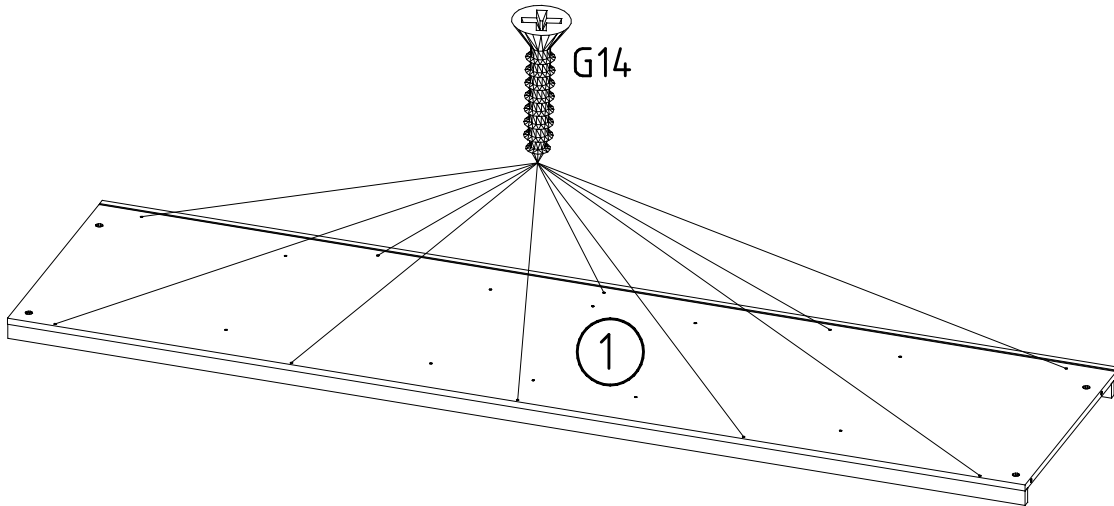
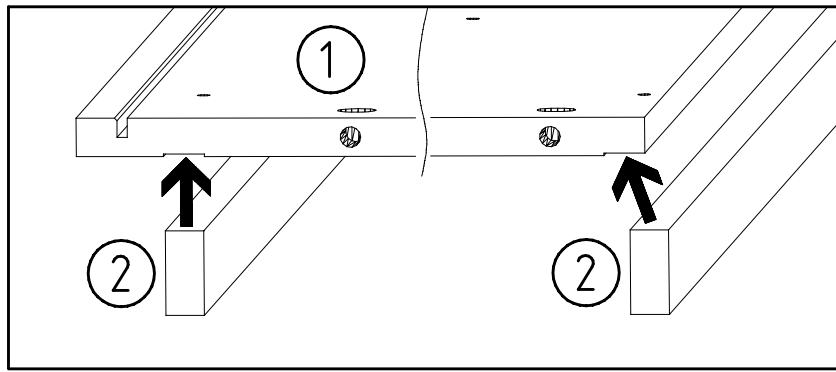






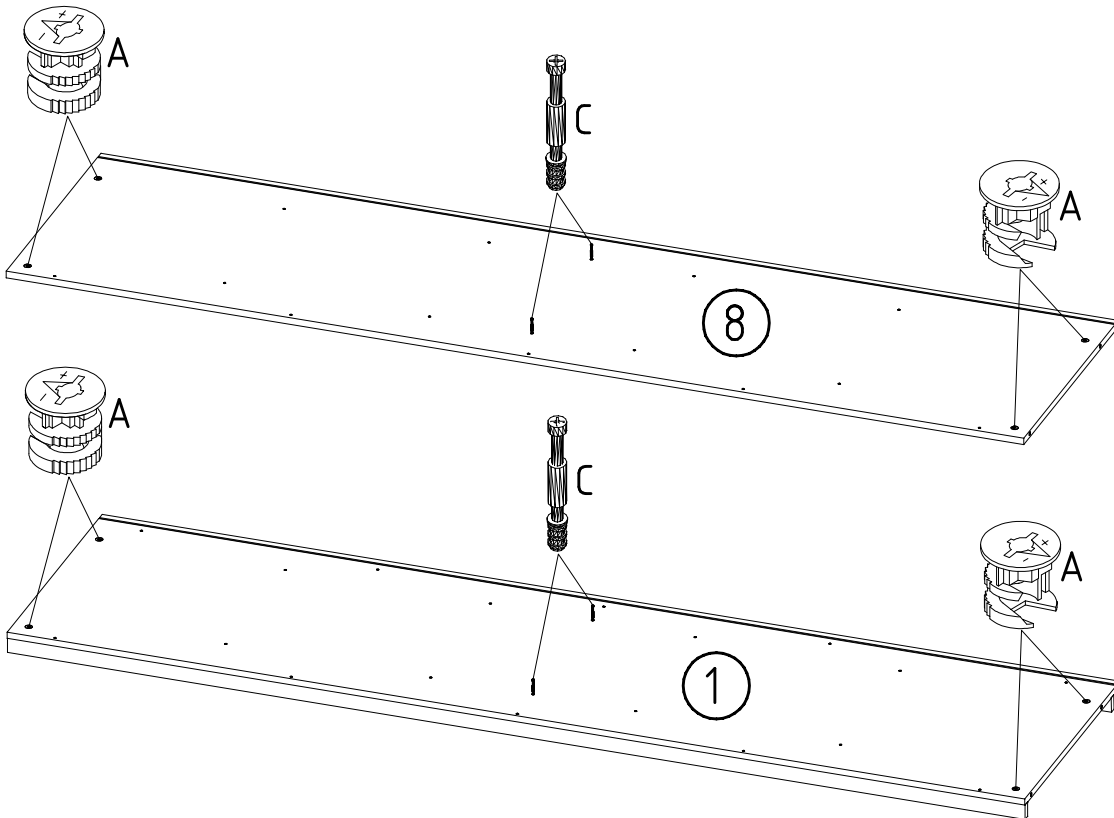
10

3,5 x 35 mm G14  
121 375

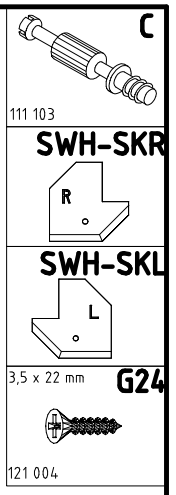
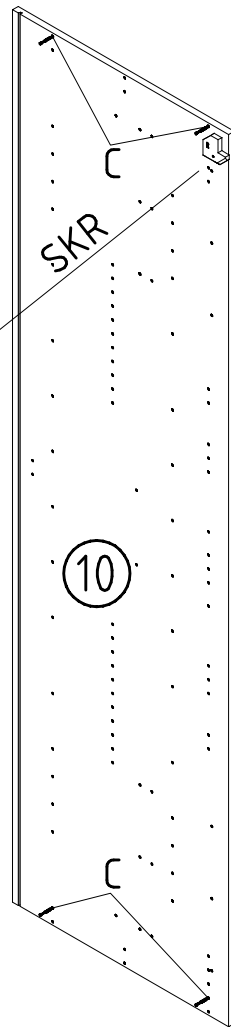
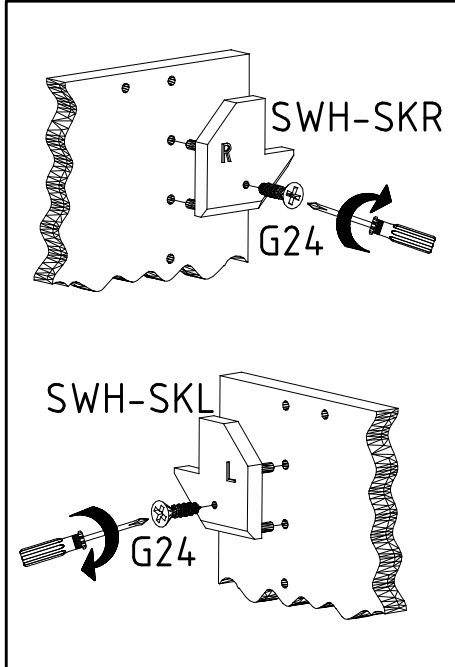
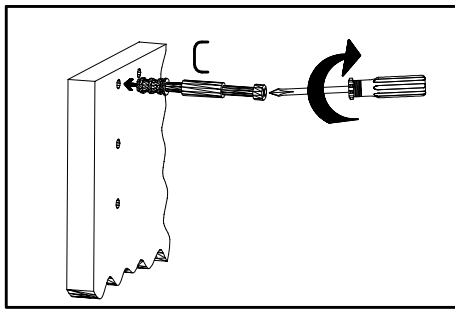
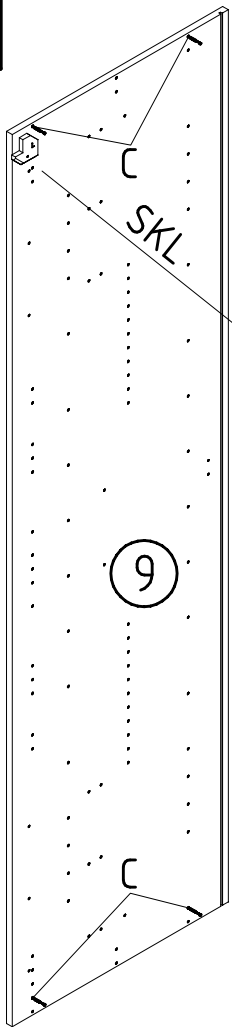


11

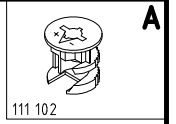
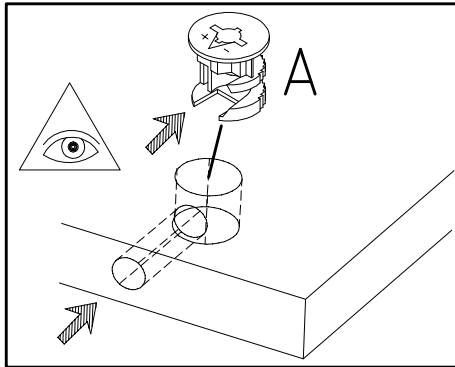
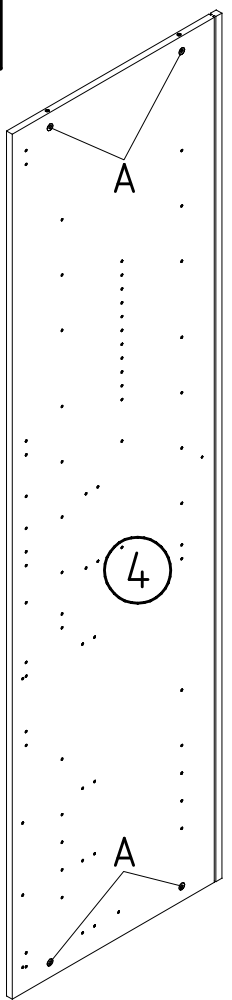
111 103 C  
111 102 A



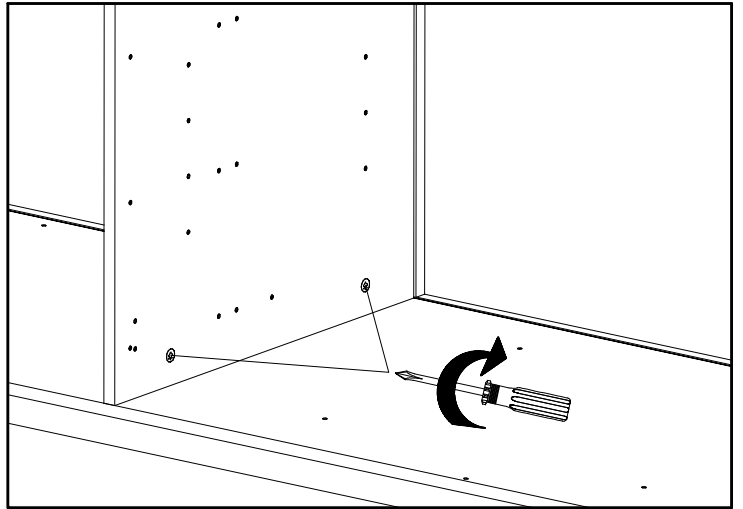
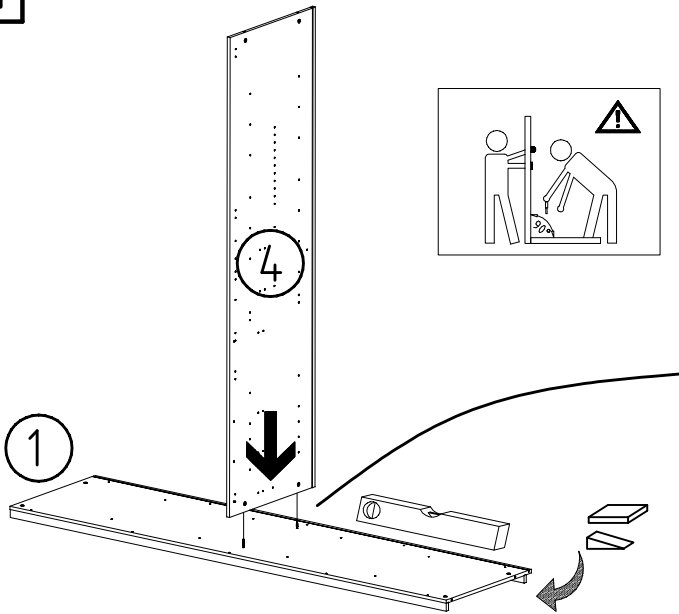
12



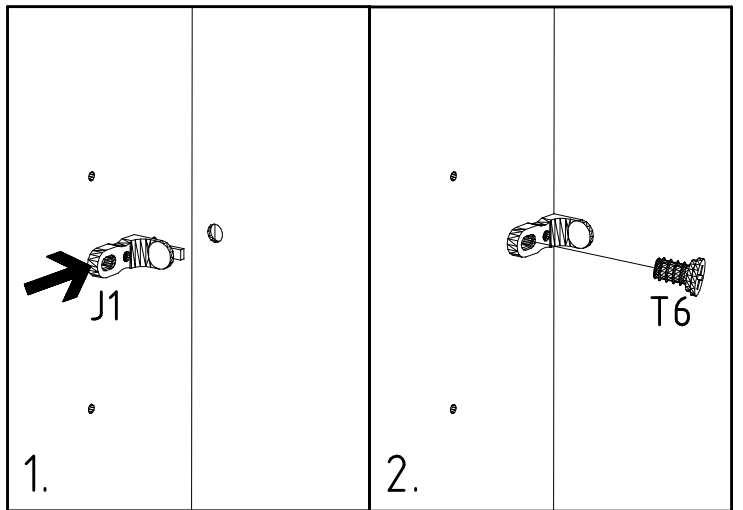
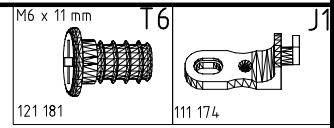
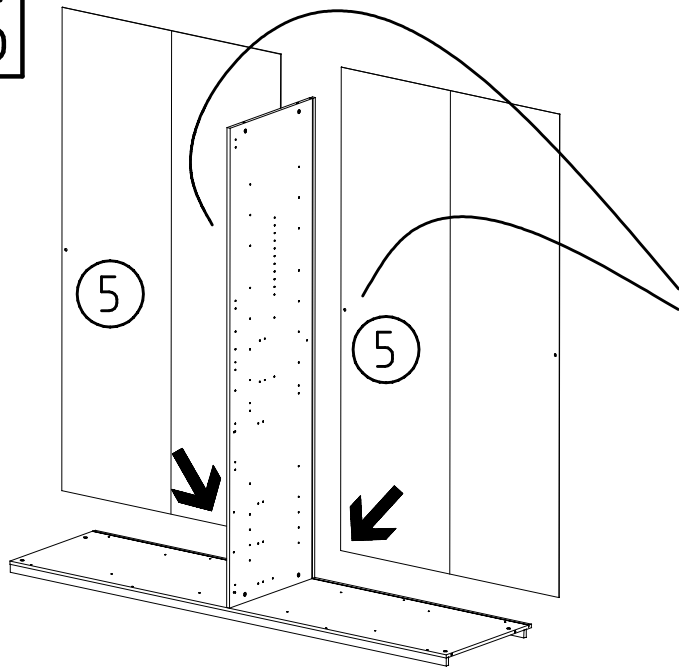
13



14

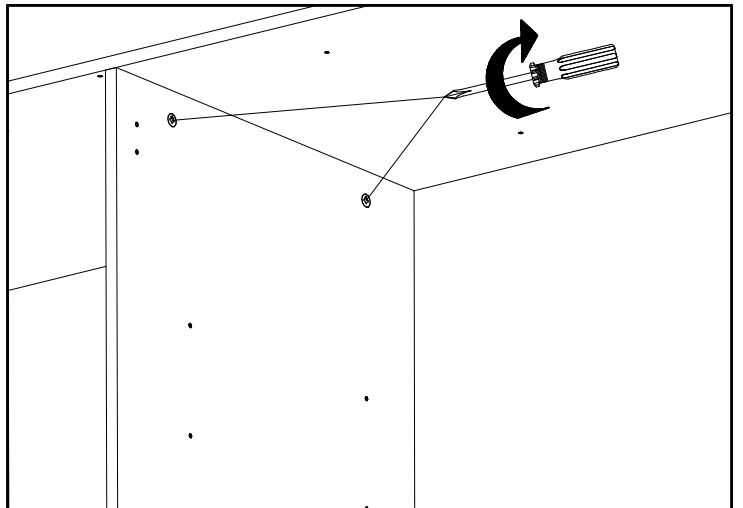
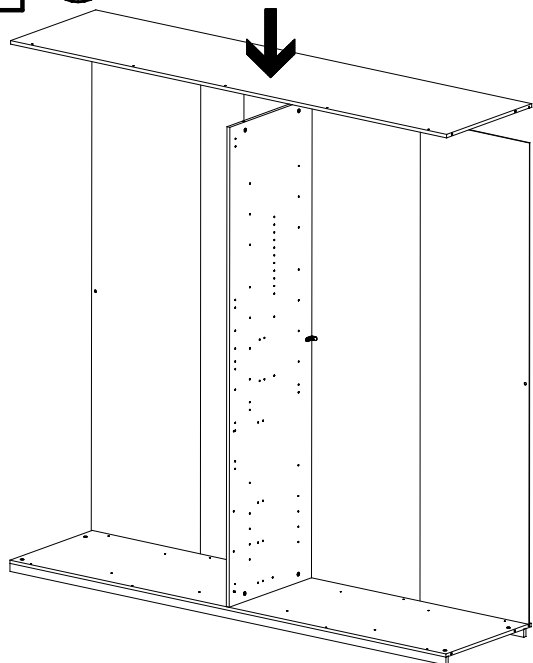


15

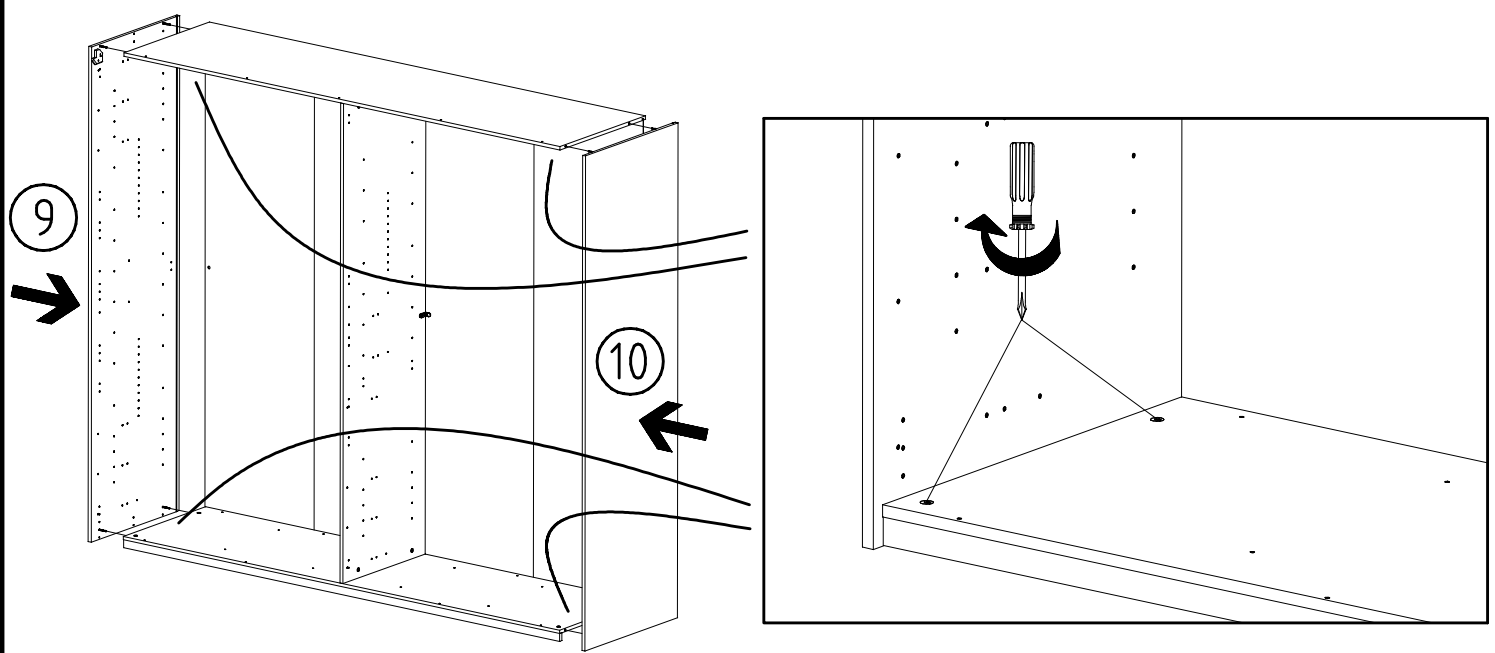


16

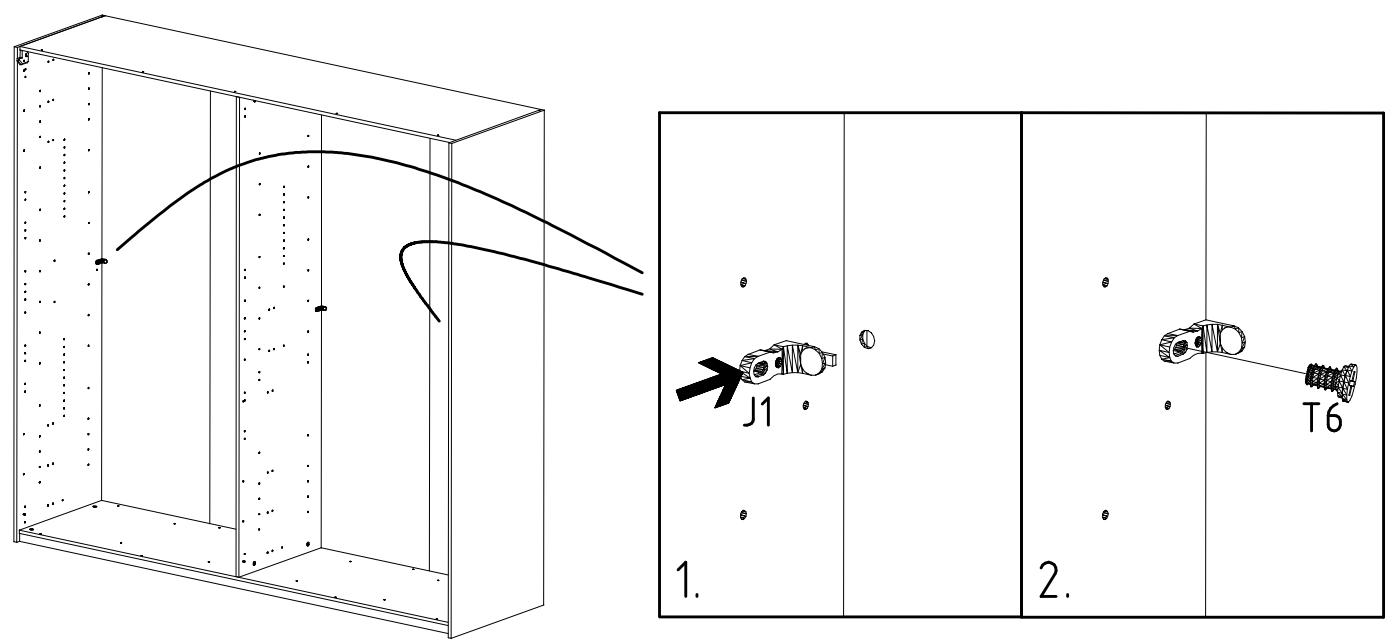
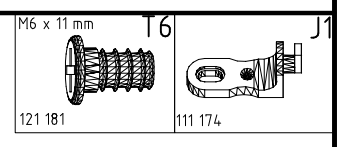
8



17

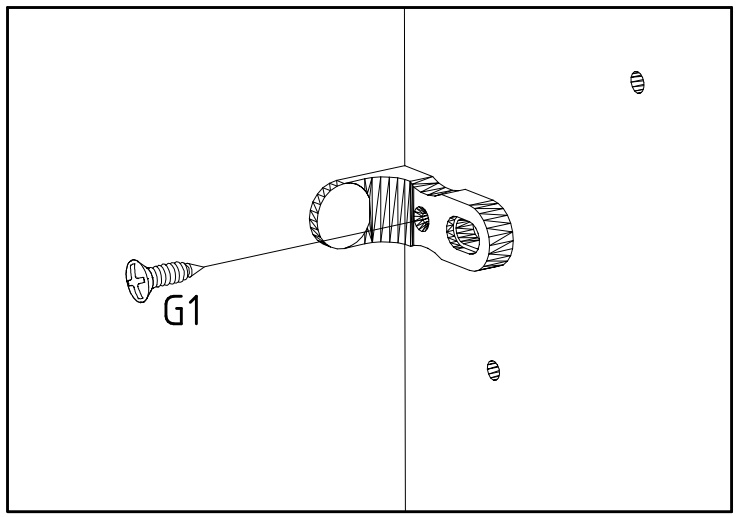
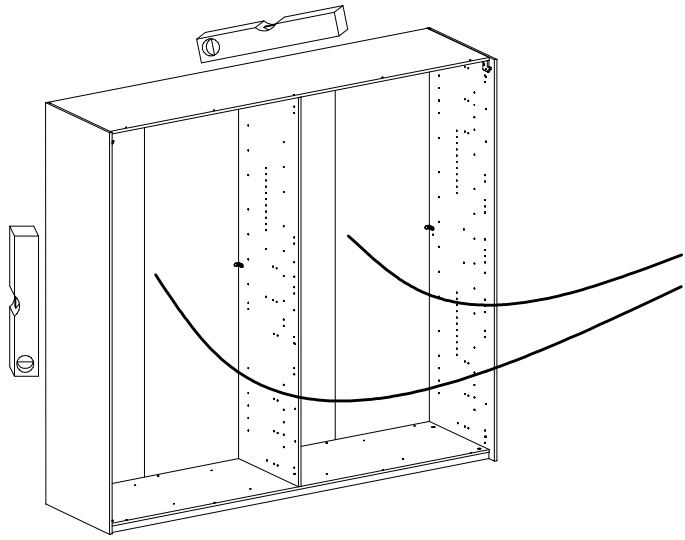


18



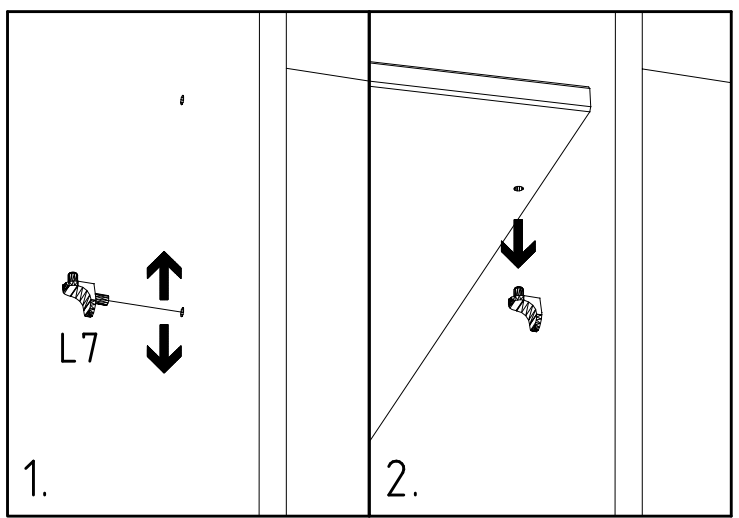
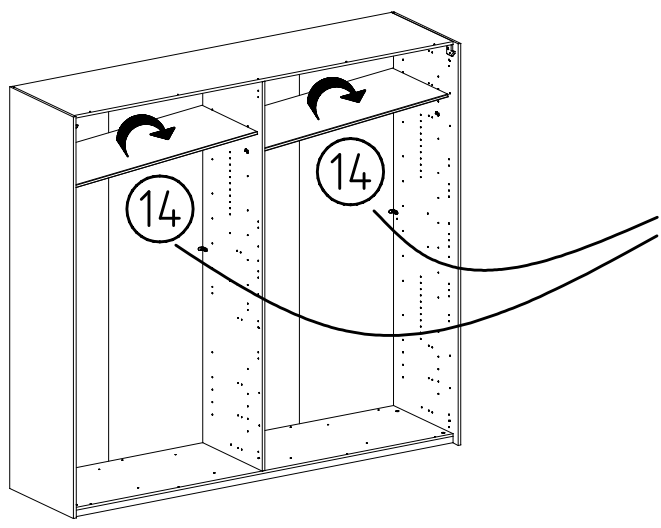
19

3,5 x 15 mm G1  
121 370



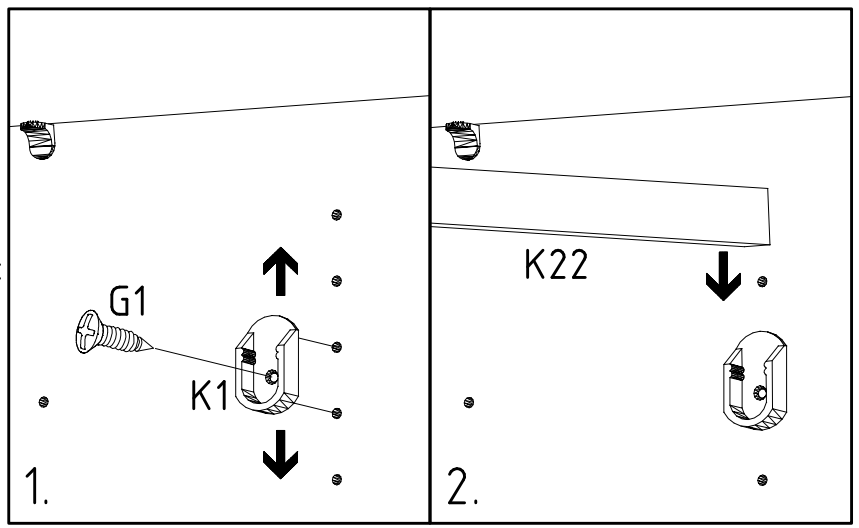
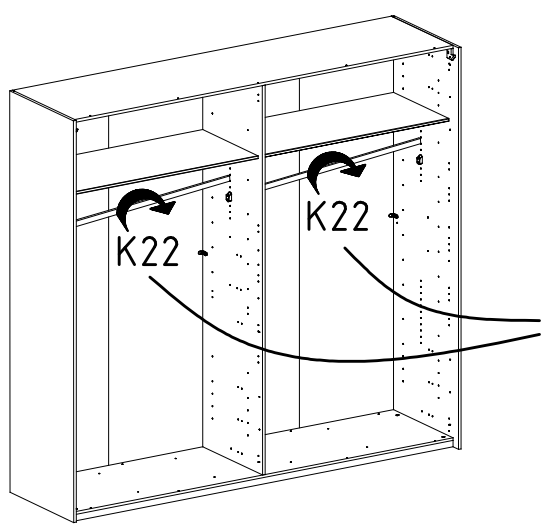
20

L7  
111 610



21

3,5 x 15 mm G1 121 370  
K22 1088mm 112 404  
K1 117 001



22

3,5 x 35 mm  
G14  
121 375

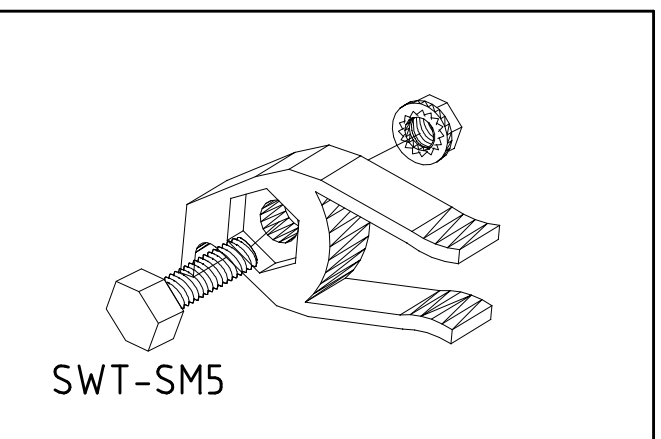
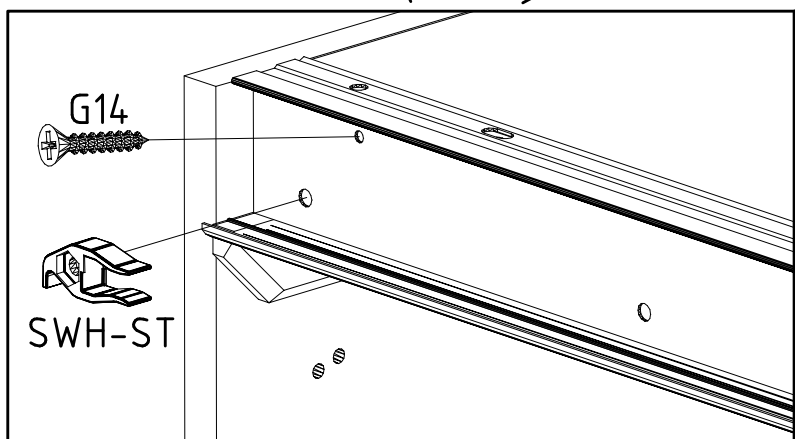
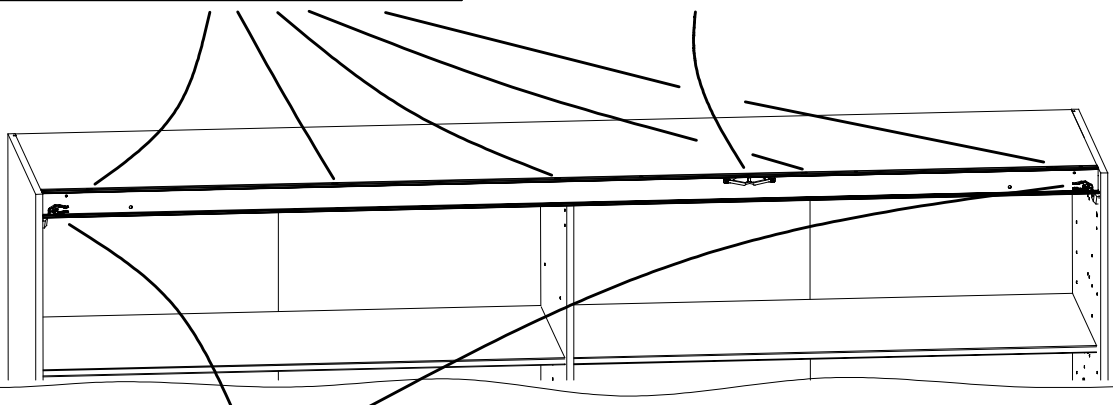
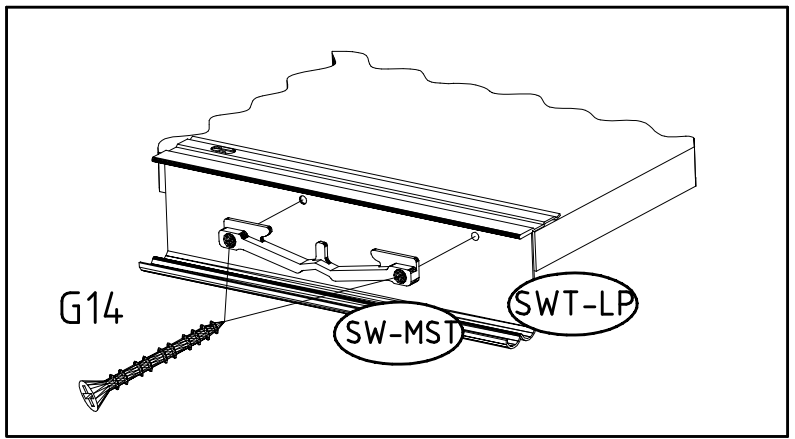
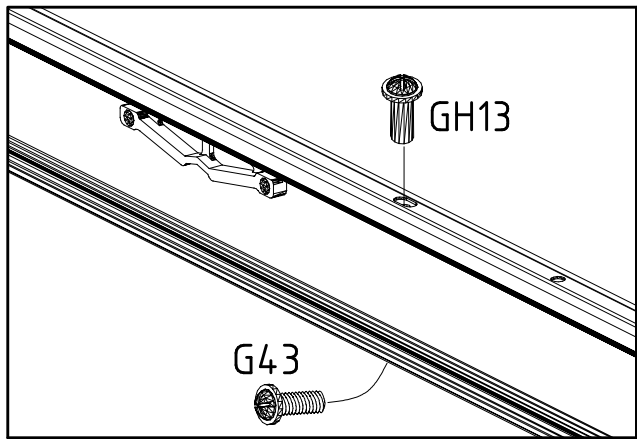
M4 x 13 mm  
GH13  
121 xxx

M4 x 10 mm  
G43  
121 xxx

SWT-SM5

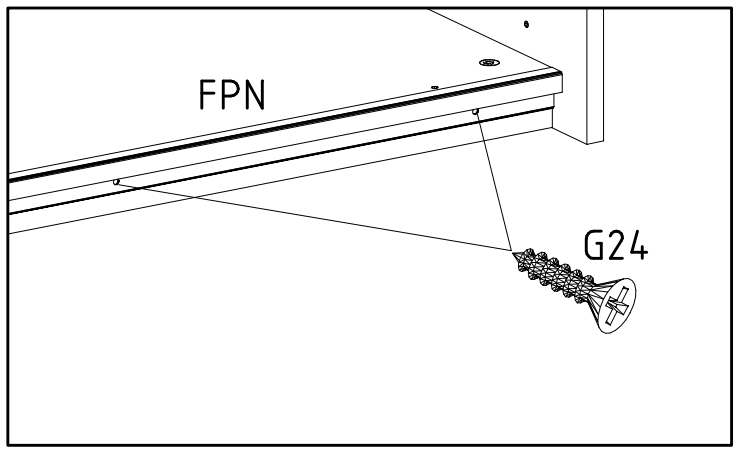
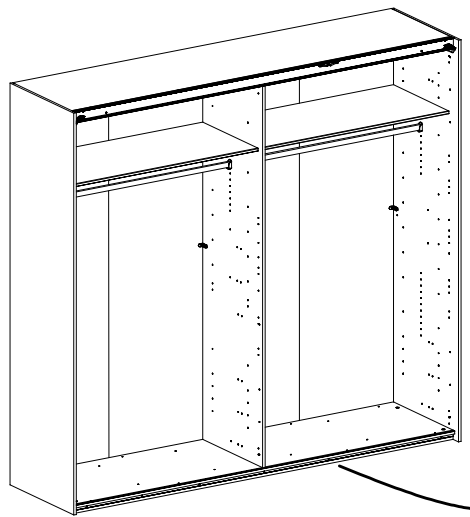
SW-STM

SWH-ST

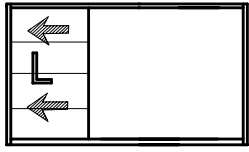
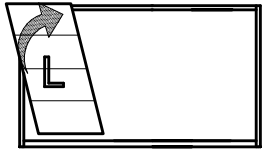


23

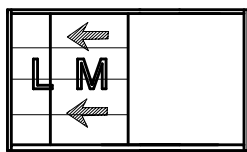
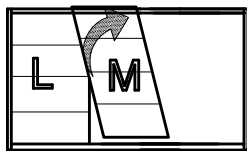
3,5 x 22 mm  
G24  
121 004



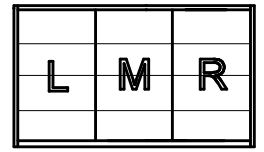
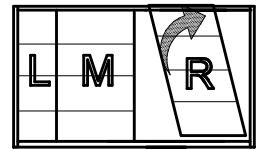
24



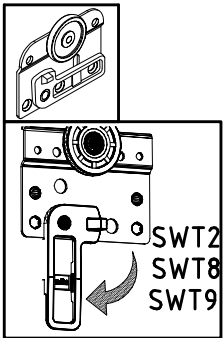
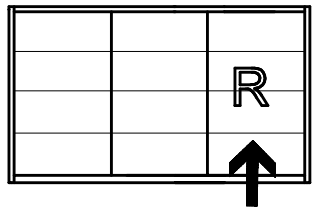
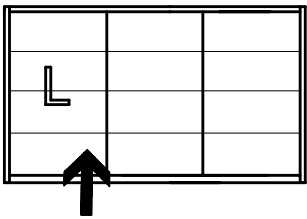
25



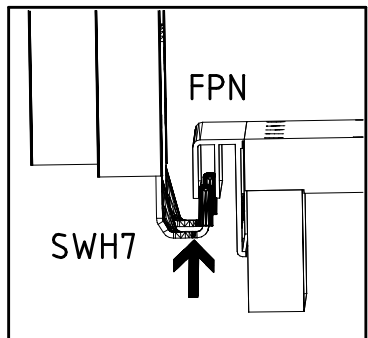
26



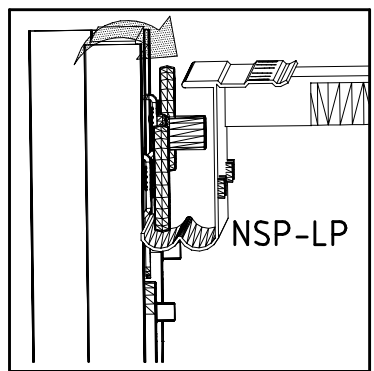
24 + 26



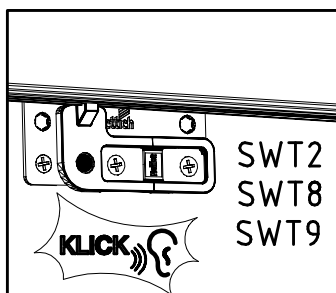
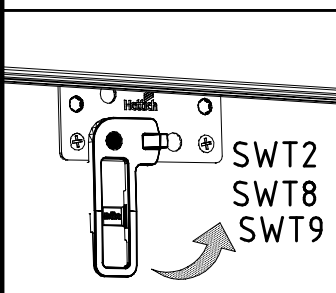
I.



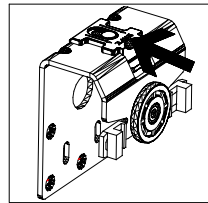
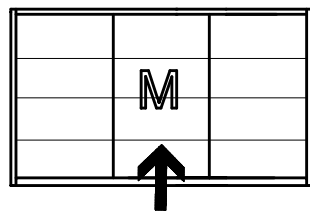
II.



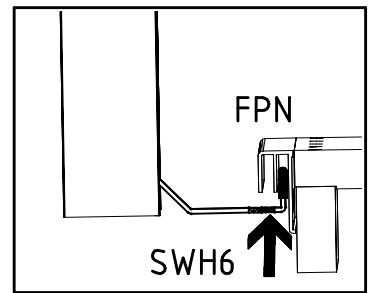
III.



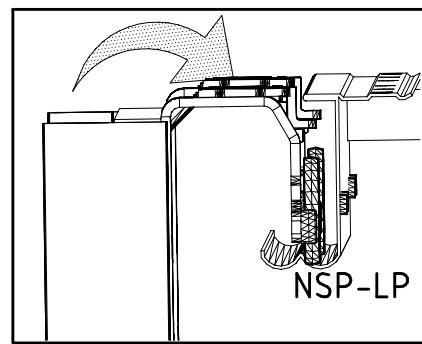
25



I.



II.



III.

